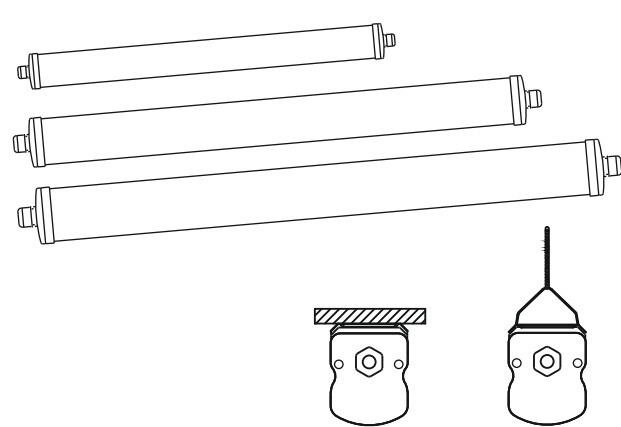
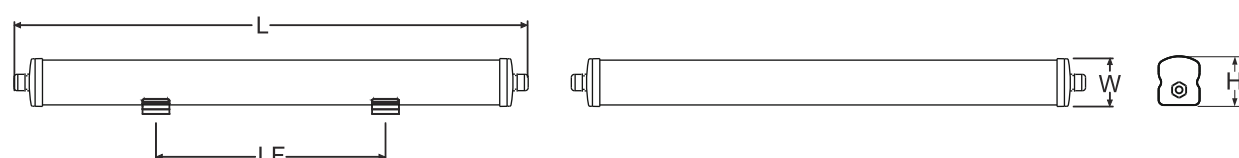
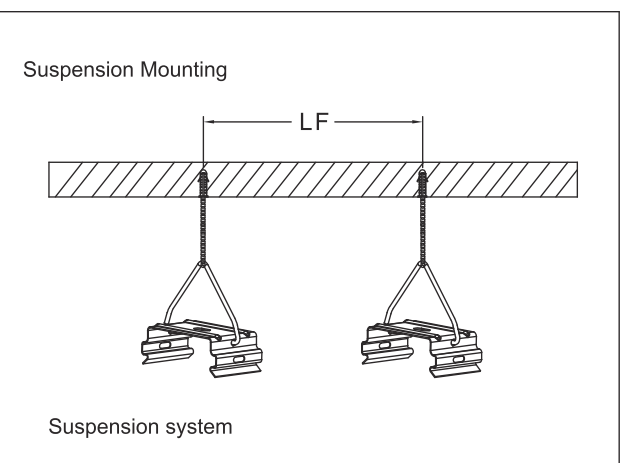
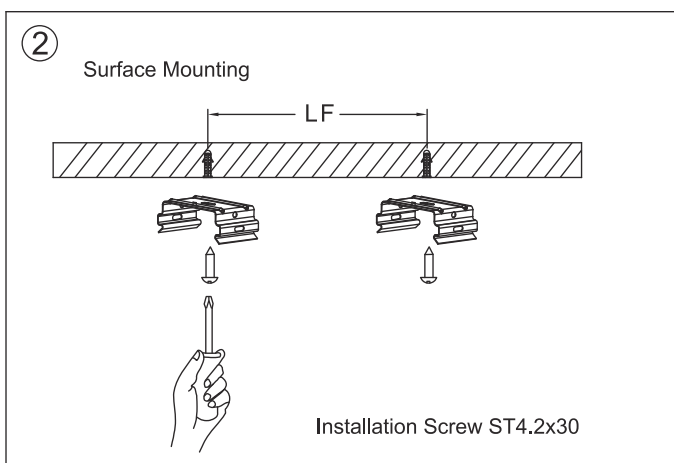
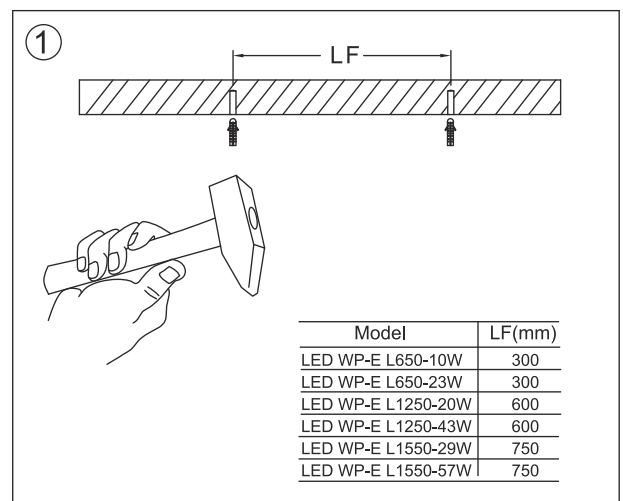
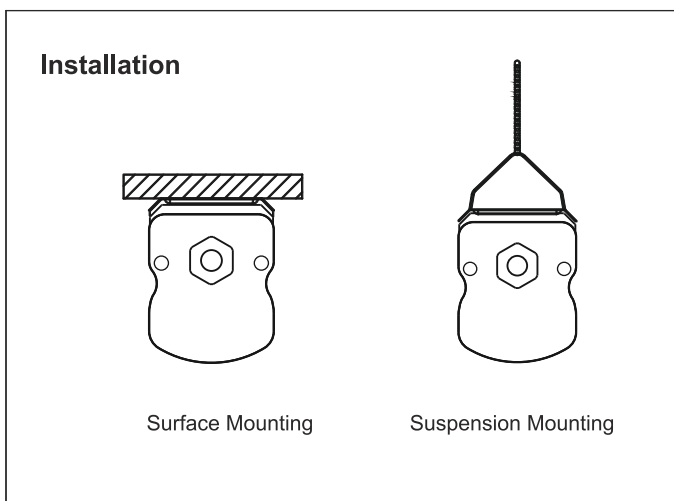


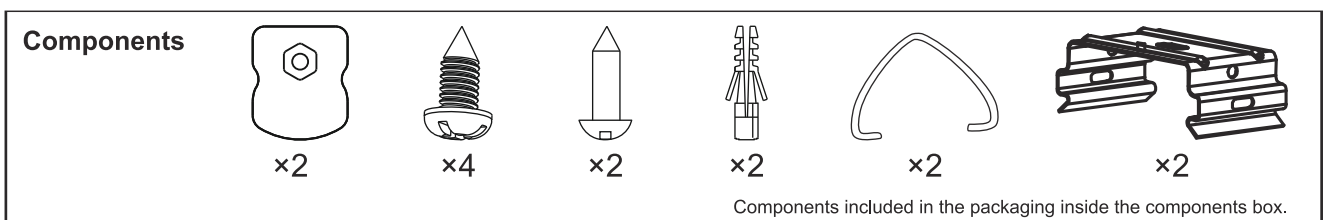
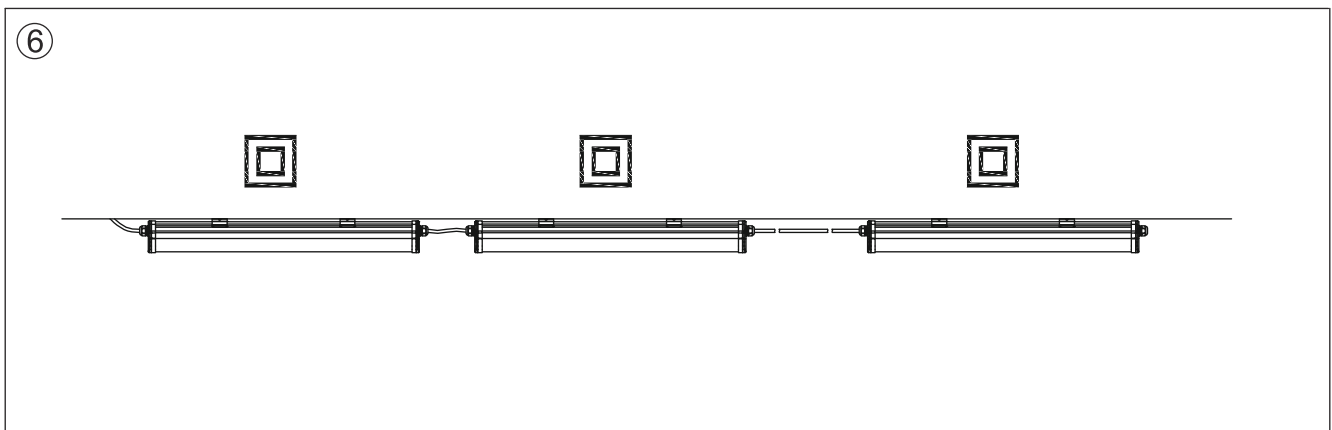
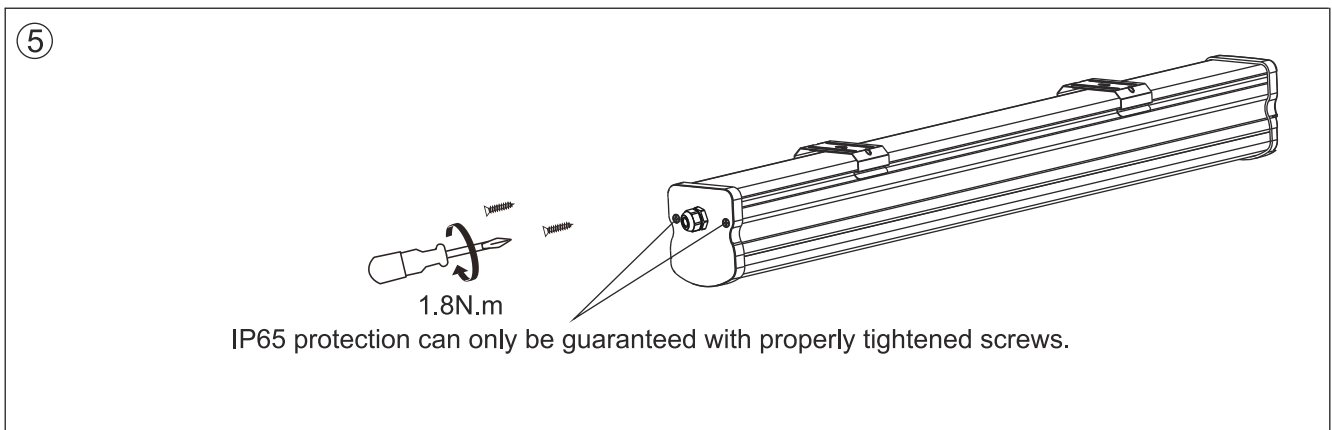
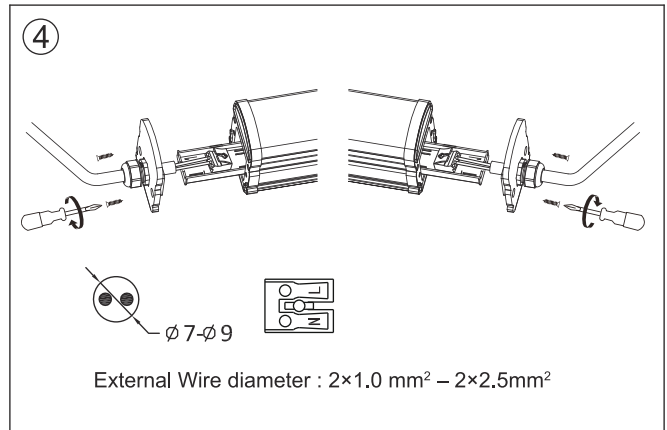
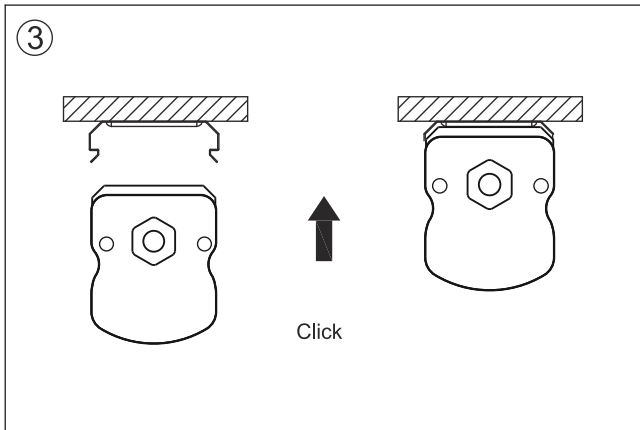
LED Waterproof

Item Code	CCT	kg
140057384	4000K	0.620kg
140057385	4000K	0.620kg
140057386	4000K	1.120kg
140057387	4000K	1.120kg
140057388	4000K	1.160kg
140057389	4000K	1.160kg
140058165	6500K	1.160kg

Model	L (mm)	W (mm)	H (mm)	LF (mm)	Rated Voltage	Frequency	Rated Power	Max. number of connected luminaires
LED WP-E L650-10W	670	63	75	300	220-240V	50/60Hz	10W	90
LED WP-E L650-23W	670	63	75	300	220-240V	50/60Hz	23W	45
LED WP-E L1250-20W	1270	63	75	600	220-240V	50/60Hz	20W	50
LED WP-E L1250-43W	1270	63	75	600	220-240V	50/60Hz	43W	20
LED WP-E L1550-29W	1570	63	75	750	220-240V	50/60Hz	29W	30
LED WP-E L1550-57W	1570	63	75	750	220-240V	50/60Hz	57W	15





For non replaceable light sources
 "The light source of this luminaire is not replaceable;
 when the light source reaches its end of life the whole luminaire shall be replaced "



Data subject to change
 Les données sont sujettes à modifications
 Änderungen vorbehalten

Oppl Lighting Electronic (Zhongshan) Co., Ltd.
 528422
 Building A, No.275 Dongan Bei Road,
 Haizhou District, Guzhen Town,
 Zhongshan City, Guangdong, China.

OPPLE Lighting B.V.
 Materiaalweg 6-6A
 5681 RJ Best
 The Netherlands
 service@opple.com
 www.opple.com