



LED Waterproof EcoMax



- Equipped with 2.5mm² through-wiring
- Waterproof luminaire in "sealed-for-life" concept
- 3 lengths and 7 lumen packages, with efficacy up to 100 lm/W
- Quick installation with through wiring
- Up to 50% lower energy consumption compared to traditional TL lighting
- Supplied with stainless steel ceiling and suspension clips

Specifications

Item Code	Item Description	Equivalent to (W)	Power (W)	Lumen	Efficacy (lm/W)	CCT (K)	Weight (kg/pc)
140058165	LEDWaterproof-E L1550-57W-6500-FR	TL 2x58W	57	5400	95	6500	1.16

Packaging Information

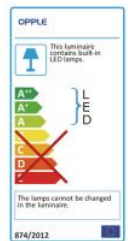
Item		Box			
Item Code	Item Description	Dimensions (mm) (LxWxH)	Gross Weight (kg)	EAN	pc/box
140058165	LEDWaterproof-E L1550-57W-6500-FR	1563x70x82	1.52	6956712607294	1

Technical Specifications	
Lifespan (L70B50)	50,000 h
Lifespan (L80B50)	30,000 h
On-/Off-cycles	100,000
Colour consistency (SDCM)	4
Dimmable	No
Beam angle	110 °
Finishing	Grey 421C
Colour rendering index CRI	≥ 80
Degree of protection (IP)	IP65
Impact strength	IK08
Protection class	II
Risk group	RGO
Control gear included	Yes
Glow wire test	850 °C
Driver failure rate (at 5,000 hrs)	0.5 %
Power factor	≥ 0.90

Electrical Supply	
Frequency	50/60 Hz
Nominal voltage	220-240 V AC
DC input voltage	Yes, see Appendix 3

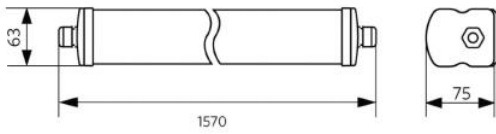
Mechanical Properties	
Material housing	Polycarbonate (PC)
Optical material	Polycarbonate

Ambient Conditions	
Operating temperature	-20 ~ 45 °C
Application temperature	25 °C
Storage environment	-25 ~ 50 °C

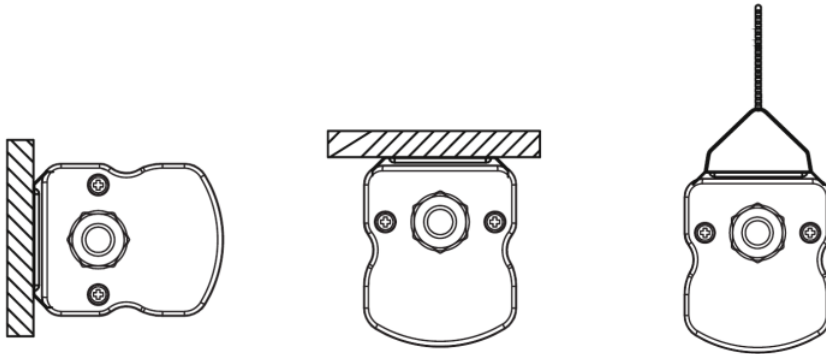


Dimensional Drawing (mm)

LEDWaterproof-E L1550

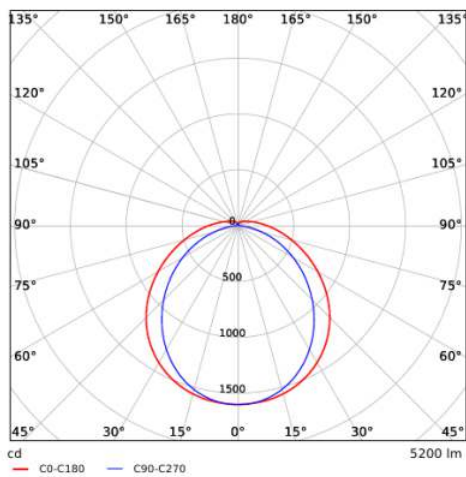


Installation Possibilities



Photometric Data

LEDWaterproof-E L1550-57W



LEDWaterproof-E L1550-57W-6500

